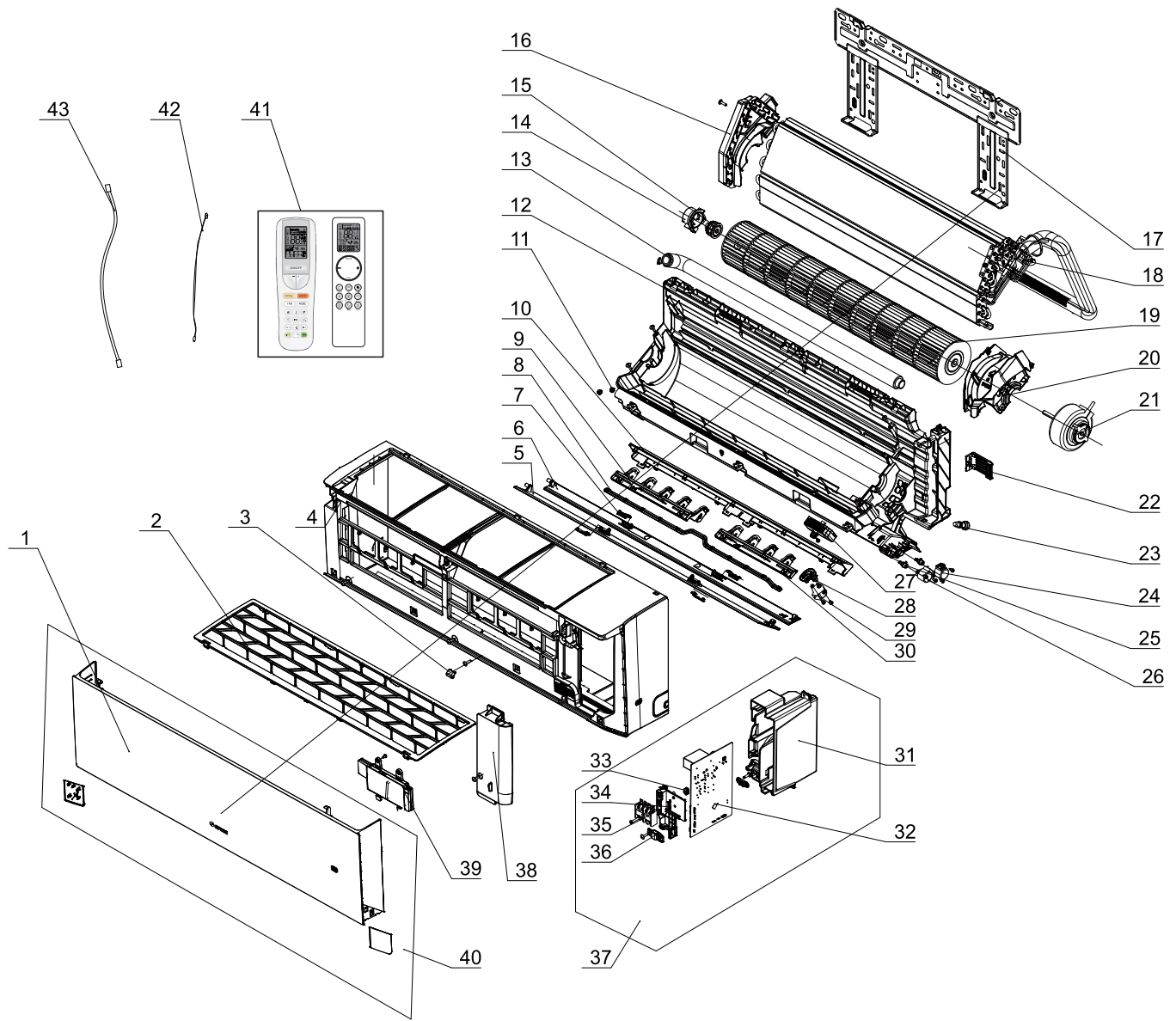


Product Model	GWH09AUCXB-K6DNA1A/(AI+UVC+WIFI)		Product Code	CB575N00302	Version Date	2023-03-01
materialCode	level	nameCn	nameEn	invalid	quantity	
00001060257	1	底座部件(带冷等离子)(四面扫风)	Rear Case Assy	Normal	1	
00037706072	2	底座部件(带冷等离子)(四面扫风)	Rear Case Sub-Assy	Normal	1	
20000106003802	3	底座(有冷等离子)(冷灰5C)	Rear Case	Normal	1	
120000060288	3	泡沫(接水盘)(有下挂)	Foam (Water Tray)	Normal	1	
1521210710	2	步进电机 MP24BA	Stepping Motor	Normal	1	
1521200607	2	步进电机 MP24AK	Stepping Motor	Normal	1	
200023060004	2	曲轴(本色)	Crank	Normal	2	
10542047	2	风叶轴套组件	Axile Bush Sub-assy	Normal	1	
76512051	3	轴承胶圈组件	O-Gasket sub-assy of Bearing	Normal	1	
76512203	4	贯流风叶轴承胶圈	O-Gasket of Cross Fan Bearing	Normal	1	
7651221001	4	风扇轴承(自带无油)	Fan Bearing	Normal	1	
26152022	3	轴承胶圈座(本色)	Ring of Bearing	Normal	1	
200020060002	2	电机压板(本色)	Motor Press Plate	Normal	1	
10512037	2	左轴套(本色)	Left Axile Bush	Normal	2	
43000106000202	2	净离子群	Plasma Bunch Ion	Normal	1	
200006060012	2	蜗舌(冷灰5C)	Helicoid Tongue	Normal	1	
200007060064	2	扫风叶片(左)(冷灰5C)	Air Louver (left)	Normal	1	
200007060065	2	扫风叶片(右)(冷灰5C)	Air Louver(right)	Normal	1	
200007060066	2	扫风叶片(自动)(冷灰5C)	Air Louver (Auto)	Normal	1	
200035060028	2	扫风连杆(冷灰5C)	Swing Lever	Normal	1	
1521210704	2	步进电机 MP24HF	Stepping Motor	Normal	1	
05230014	2	压花皮排水管	Drainage Hose	Normal	1	
76712012	2	接水盘胶塞	Rubber Plug (Water Tray)	Normal	1	
103001060004	1	贯流风叶(蓝色)	Cross Flow Fan	Normal	1	
150104060117	1	无刷直流电机 FN10D-ZL(10P)	Brushless DC Motor	Normal	1	
011001060430	1	蒸发器部件	Evaporator Assy	Normal	1	
0664002504	3	管接头(B型)	Pipe Connector	Normal	1	
2611219201	3	压力预警封帽(浅绿色)	Sealing Cap(Pressure Warning)	Normal	1	
05212423	2	感温包套管	Temp Sensor Sleeveing	Normal	1	
0664002503	3	管接头(A型)	Pipe Connector	Normal	1	
76012401	1	蒸发器密封胶泥 630X21X2.5(1.4)	Evaporator Sealer Mud 630X21X2.5(1.4)	Normal	0	
42020063	1	感温包插片B	Sensor Insert	Normal	1	
200025060004	1	蒸发器角形架(本色)	Evaporator Support	Normal	1	
430222000007	1	紫外线杀菌灯 2W/275nm	UV sterilizing lamp	Normal	1	
100002076387	1	电器盒部件	Electric Box Assy	Normal	1	
200013060065	2	电器盒(高亮白)	Electric Box	Normal	1	
300002062929	2	主板 M869F2ADJ	Main Board	Normal	1	
44020446	3	继电器 5A 250VAC 5A 28VDC/12VDC(防爆)	Relay	Normal	1	
4202021903	2	跳线帽 2.5mm(蓝色)	Jumper	Normal	1	
200114060045	2	支架(本色)	Supporter	Normal	1	
71012065	2	压线夹2(本色)	Cable Clamp 2	Normal	1	
300001061204	2	显示板 D8493BB	Display Board	Normal	1	
300018060384	3	检测板 W65	Detecting Plate	Normal	1	
60000606029701	3	面膜(分体机显示板)	Membrane	Normal	1	
422000000022	2	接线板(4位)	Terminal Board	Normal	1	
3900031302	2	感温包 15KS/20KT-XH-4P-K3(白)-250/450mm	Temperature Sensor	Normal	1	
70140681	1	螺钉组合件 M4X8(带平垫圈 外齿锁紧垫圈)	Screw M4X8	Normal	1	
000002060328	1	面板体部件(高亮白)	Front Case Assy	Normal	1	
200002060080	2	面板体(高亮白)	Front Case	Normal	1	
111001060318	2	过滤网组件(高亮白)	Filter Sub-Assy	Normal	1	
200005060003	1	螺钉盖(高亮白)	Screw Cover	Normal	1	
200004060182	2	导风板(上)(高亮白)	Guide Louver (upper)	Normal	1	
200033060002	2	插销(本色)	Plug Pin	Normal	2	
200004060154	2	导风板(下)(光面)(高亮白)	Guide Louver (lower)	Normal	1	
200033060002	2	插销(本色)	Plug Pin	Normal	2	
000003060752	1	面板部件(高亮白)	Front Panel Assy	Normal	1	
200003060291T	2	面板(高亮白)(烫金银色GREE)	Front Panel	Normal	1	
2000082060053	1	电器盒盖(高亮白)	Electric Box Cover	Normal	1	
200017000001	1	连接管压板(银灰色424C)	Connecting pipe clamp	Normal	1	
01252484	1	壁挂板组件	Wall Mounting Frame Sub-assy	Normal	1	
01252020	2	壁挂板(横)	Wall-mounted frame (horizontal)	Normal	1	
70140376	1	自攻螺钉 ST4.2X13 MB	Screw ST4.2X13 MB	Normal	1	
4002052317	1	橡胶软管(A型/四芯)(4G0.75)	Connecting Cable	Normal	0	
110007060781	1	包装泡沫(左)(有下挂)	Packaging Foam	Normal	1	
110007060780	1	包装泡沫(右)(有下挂)	Packaging Foam	Normal	1	
305001060156	1	遥控器 VBE1F	Remote Controller	Normal	1	
200001060094	2	底座(高亮白)	Rear Case	Normal	1	
49010056	1	电池 7# LRO3 1.5V	Battery	Normal	2	
06320002	2	接管螺母B型	Nut of Connector Pipe(B)	Normal	1	

10. Exploded View and Parts List

10.1 Indoor Unit

AUC



The component picture is only for reference; please refer to the actual product.

NO.	Description
1	Front Panel
2	Filter Sub-Assy
3	Screw Cover
4	Front Case
5	Guide Louver (upper)
6	Guide Louver (lower)
7	Plug Pin
8	Swing Lever
9	Air Louver (left)
10	Helicoid Tongue
11	Left Axile Bush
12	Rear Case
13	Drainage Hose
14	Ring of Bearing
15	O-Gasket sub-assy of Bearing
16	Evaporator Support
17	Wall Mounting Frame
18	Wall Mounting Frame
19	Cross Flow Fan
20	Motor Press Plate
21	Brushless DC Motor
22	Connecting pipe clamp

NO.	Description
23	Rubber Plug (Water Tray)
24	Stepping Motor
25	Crank
26	Stepping Motor
27	Plasmacluster Ion
28	Air Louver
29	Stepping Motor
30	Air Louver(right)
31	Electric Box
32	Main Board
33	Jumper
34	Supporter
35	Terminal Board
36	Cable Clamp 2
37	Electric Box Assy
38	Electric Box Cover
39	Display Board
40	Front Panel Assy
41	Remote Controller
42	Temperature Sensor
43	Connecting Cable

Some models may not contain some parts, please refer to the actual product.